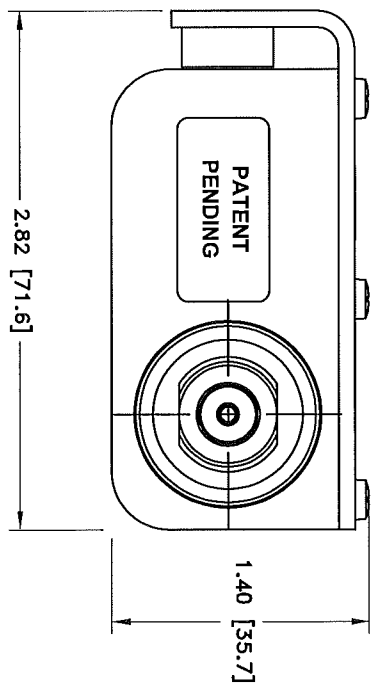
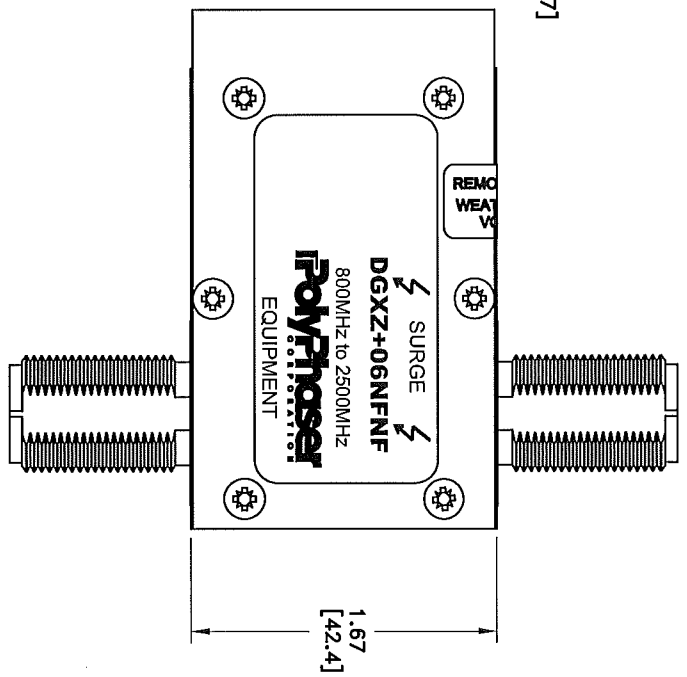
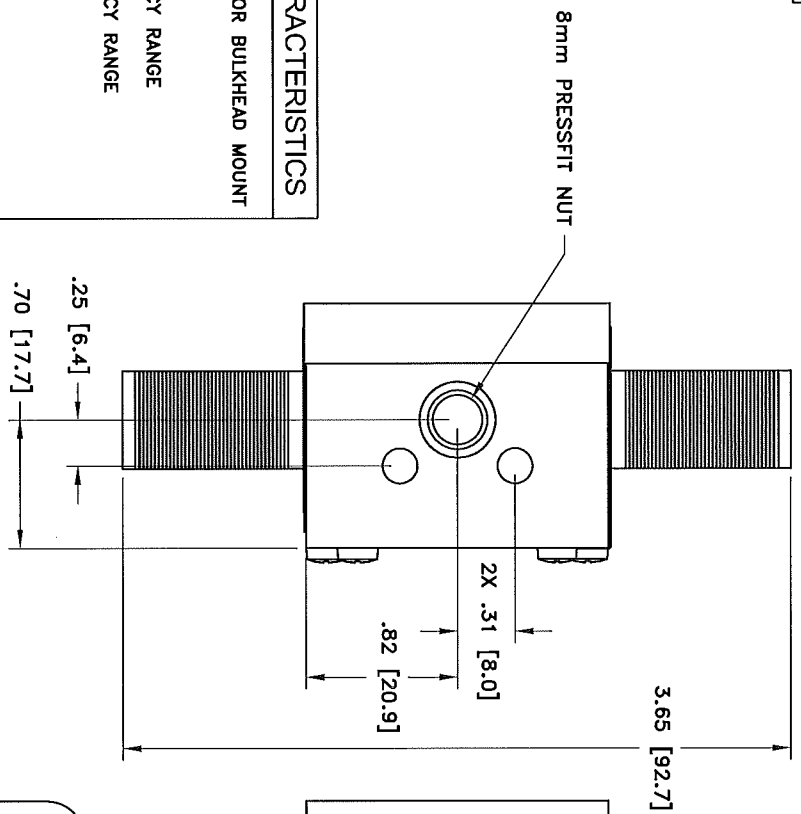


ALL DESIGN, OPERATING AND PROCESS DATA PERTAINING TO THE ARTICLE SHOWN ON THIS SHEET IS THE PROPERTY OF POLYPHASER CORPORATION. THE REPRODUCTION OR MODIFICATION OF THIS SHEET OR THE INFORMATION OR DATA CONTAINED HEREIN IS PROHIBITED WITHOUT THE EXPRESS WRITTEN CONSENT OF POLYPHASER CORPORATION.

MAXIMUM CHARACTERISTICS

APPLICATION: WEATHERIZED, FLANGE OR BULKHEAD MOUNT
 FREQUENCY RANGE: 800MHZ TO 2.5GHZ
 VSWR: 51:1:1 OVER FREQUENCY RANGE
 INSERTION LOSS: 50.1dB OVER FREQUENCY RANGE
 POWER: 50W RMS AVERAGE
 TURN ON: +7.0Vdc $\pm 5\%$
 TURN ON TIME: 4ns FOR 2kV/ns
 MAX. SURGE: 20kA IEC 1000-4-5 8/20 μ s WAVEFORM THROUGHPUT ENERGY: 5175 μ J FOR 3kA, 8/20 μ s WAVEFORM
 USER VOLTAGE: +6.0Vdc MAX
 USAGE CURRENT: 54.0A CONTINUOUS
 RELATIVE HUMIDITY: TO 95%
 ENVIRONMENTAL:
 MEETS IPC67
 MEETS BELLCORE #1A-NWT-000487
 PROCEDURE 4.11, WIND DRIVEN (120MPH)
 RAIN INTRUSION TEST.
 TEMPERATURE: -50°C TO +85°C STORAGE/OPERATING



REVISIONS				
REV LTR	DATE	ENG	MKTG	Q.A.

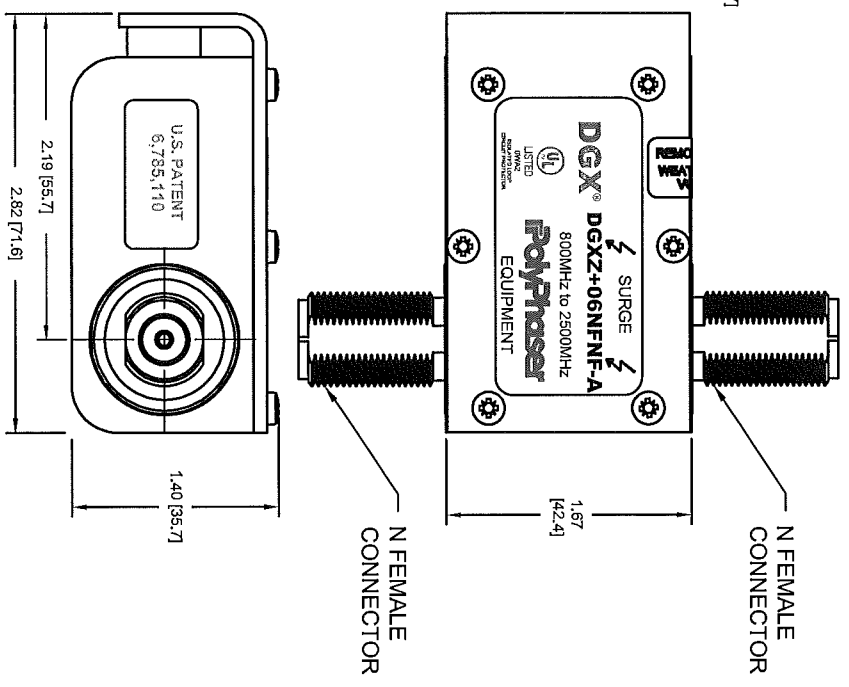
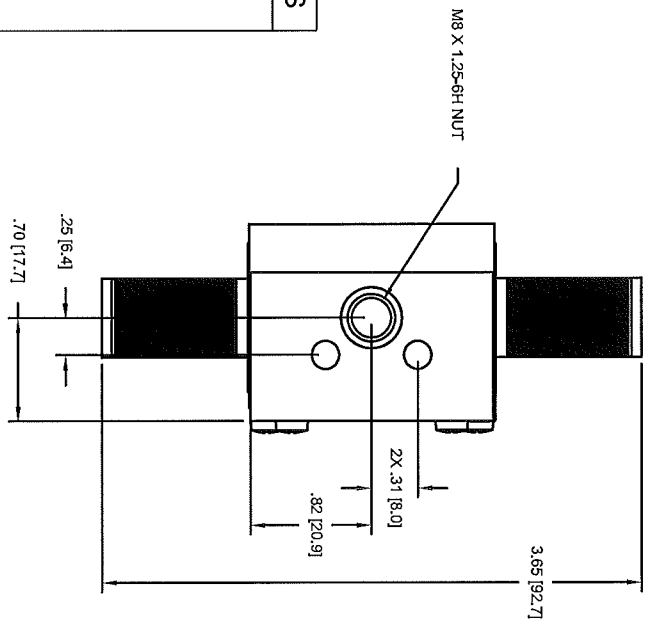
CUSTOMER APPROVAL: _____ DATE: _____
 ALL DIMENSIONS SHOWN ABOVE ARE FOR REFERENCE ONLY.

PolyPhaser® P.O. BOX 9000, AMHERST, NY 14205-9000 (716) 782-2511 FAX (716) 782-4478 DWG NO./PART NO./DESCRIPTION		DGXZ+06NFNF CUSTOMER PRINT	
DRAWER I. BENNETT MECH ENGINEER DATE 03/15/02	DATE 03/18/02	CASE CODE 61114	FILE NAME -C1
ELEC ENGINEER K. BARTEL DATE 03/18/02	DATE 03/18/02	SCALE 1/1	SHEET 1 OF 1
MARKETING R. AMES DATE 03/18/02	DATE 03/18/02	QUALITY DEPT R. MATHEUS	DATE 03/18/02

REVISIONS				
REV.	DESCRIPTION	ECN	DATE	APPROVED
K	REFER TO ECN	9810	7/11/11	KCB

MAXIMUM CHARACTERISTICS

APPLICATION: WEATHERIZED, FLANGE OR BULKHEAD MOUNT
 FREQUENCY RANGE: 800MHz TO 2500MHz
 VSWR: ≤1.1:1 OVER FREQUENCY RANGE
 INSERTION LOSS: ≤0.1dB OVER FREQUENCY RANGE
 POWER: 300W RMS
 TURN ON: ≤6.5Vdc
 TURN ON TIME: 4ms FOR 2kV/ins
 MAX. SURGE: 20kA IEC 61000-4-5 8/20µs WAVEFORM
 THROUGHPUT ENERGY: ≤175µJ FOR 3kA, 8/20µs WAVEFORM
 USER VOLTAGE: ±6.0Vdc MAX
 USAGE CURRENT: ±4.0A CONTINUOUS
 RELATIVE HUMIDITY: TO 95%
 ENVIRONMENTAL:
 COMPLIANT TO IEC 60950-1 SECTION 7.4.2
 MEETS IEC 60529 IP67
 MEETS BELCORE #TA-NWT-000487
 PROCEDURE 4.11, WIND DRIVEN (120MPH)
 RAIN INTRUSION TEST.
 TEMPERATURE:
 -50°C TO +85°C STORAGE/OPERATING



CUSTOMER APPROVAL _____ DATE: _____

ALL DIMENSIONS SHOWN ARE FOR REFERENCE ONLY.

ROHS COMPLIANT

THESE COMMODITIES, TECHNOLOGY OR SOFTWARE WERE EXPORTED FROM THE UNITED STATES IN ACCORDANCE WITH THE EXPORT ADMINISTRATION REGULATIONS. DIVERSION CONTRARY TO U.S. LAW PROHIBITED.

© 2010 Protection Technology Group. All rights reserved.

UNLESS OTHERWISE SPECIFIED LEADING DIMENSIONS ARE IN INCHES DIMENSIONS IN [] ARE MILLIMETERS		DRAWN: IB		DATE: 3/15/02	
TOLERANCES: FRACTIONS ± ANGLES ° MATERIAL: XXX ±		ENGINEER: PH		DATE: 3/28/02	
THIRD-ANGLE PROJECTION		NOTICE: THE INFORMATION AND DESIGN IN THIS DOCUMENT IS THE PROPERTY OF POLYPHASER CORPORATION. ALL RIGHTS RESERVED.		PROJECT NO. PH 322802	
TITLE: 800MHZ-2500MHZ BROADBAND CUSTOMER SPECIFICATION		SIZE: A	CAGE: 61114	PART NUMBER: DGXZ+06NFNF-A	REV: K
SCALE: NTS		DOCUMENT NAME: DGXZ+06NFNF-A-C		SHEET 1 of 1	

