

Telic *new* STD32 IP

The IP based GSM telemetry solution with Camera Interface and WebServer application

Features:

- Easy configuration via SMS or internet
- Camera* Interface
- Pictures via E-Mail
- Configuration and Control via internet
- 2 digital inputs
- 2 digital control outputs (6A at max. 230V)
- 2 different alarm messages via SMS
- 5 alarm addresses
- 1 output can be controlled via phone call
- Up to several hundred users configurable
- 5 LEDs for status information
- 5-36 V DC supply
- -30°C to +75°C
- Easy installation in existing alarm systems
- Extension connector for system integrators
- CE approval
- RoHS compliant
- Made in Germany



STD32 IP

Features

- Compact telemetry device for professional use with camera* interface sending photos by E-mail.
- The WebServer application enables you to configure STD32 IP online via the internet as well as to trigger a photo from the connected camera*.
- Use your mobile phone to get up to two individual alarm messages via SMS in case your alarm system has been triggered etc.
- You can configure up to 5 different people who should be informed via Email or SMS in case of an alarm situation (e.g. private security service, facility manager)
- You can configure up to several hundred users who are able to switch the relays with a simple phone call (e.g. opening the garage door of an apartment block)
- You can configure the STD32 with a simple phone call, via the internet or via SMS

Typical Applications

Applications for Alarms via E-Mail and/or SMS:

- burglar alarm
- surveillance
- car alarm
- boat and caravan alarm
- water level control
- switching of pumps
- temperature control (additional hardware required)
- tracking by LBS provider (internet based)
- and many more

Applications for Control Tasks via internet or Mobile Phone:

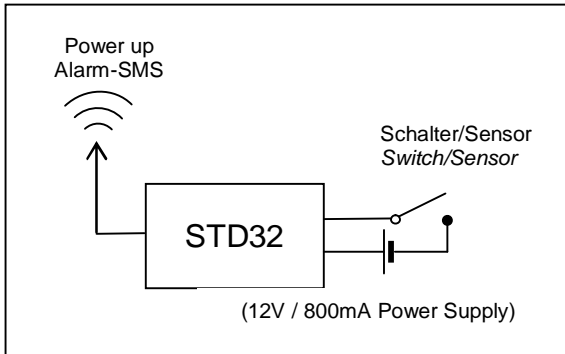
- heating system
- air condition
- sauna
- garage door
- light
- facility management in general (e.g. access control)
- and many more

* Camera available as Telic accessory

STD32 IP - The IP based cost-efficient GSM Telemetry Solution

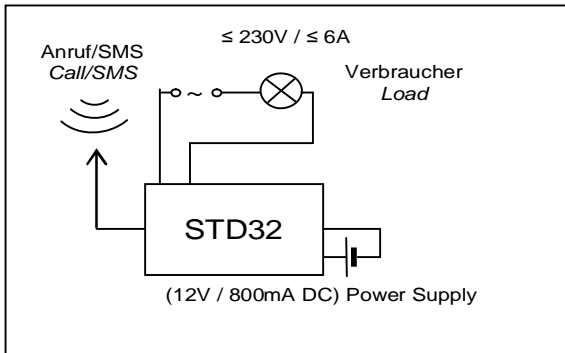
Installation Examples

SMS Power up alarm as simple sensors or switches



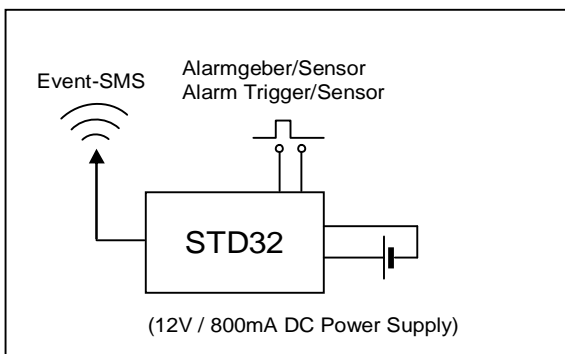
Just connect the STD32 to a 12V power supply and you can receive a power up SMS on your mobile phone, after the STD32 has logged into the GSM network (switching on the power supply e.g. by a door contact switch or other alarm sensors)

SMS Power up alarm as simple sensors or switches



Just call the STD32 with your mobile phone or send a control SMS and you can switch on/off any load up to 230V/6A (e.g. heating system, air condition, alarm system, garage door...)

Event SMS as soon as one input is connected to voltage 12V



Just connect one of the inputs of the ready STD32 to a 12 V voltage and you will receive an alarm SMS on your mobile phone (triggered e.g. by an existing alarm System, infrared sensor, temperature sensor...)

How to contact us

Electronic Services Ltd

Carrigaline

Co Cork, Ireland

Phone: +353 21 4371328

Fax: +353 21 4373720

Internet: www.gprsmodems.co.uk

Mail: sales@gprsmodems.co.uk

Available Accessories

STD32 IP Housing ready to install the STD 32 and to mount on the wall; with direct access to the inputs, outputs, power supply and antenna

Power Supply for 230V / EU plug version, compact and light weight solution

Antennas different models of GSM antennas are available on request

STD32 IP Camera to be connected directly to the STD32 IP via cable.



About Telic

Telic is a leading German supplier of Telematics and Telemetry products - based on the core technologies GSM and GPS. Telic develops and manufactures high quality products, designed to be used in industrial and automotive environment. Telic's strong partnership with GSM module manufacturers secures the competitive edge in GSM, GPRS and UMTS technologies.

By using a platform concept, Telic is able to react flexible and fast to customer's requirements. This leads to cost efficient solutions for system integrators and solution providers.

Telic Product Portfolio

STD32 and STD35 are the cost efficient base for Telemetry applications, providing a ready to start hardware with flexible configuration options of the embedded software.

Professional BC is the professional GSM/GPS-tracking unit for fleet management and security solutions with a wide range of I/Os and RS232 port options.

Standard BC is the standard but also powerful unit for the efficient fleet management and route optimization. Small, compact, fast and simply to be installed it convinces with its features and abilities.

HiPer Pro is the personal tracking and communication device containing GSM and GPS-functionality and antennas in a mobile, designed for personal security needs.

V0-1 4. November 2008

